



The Off-Road Cup Rules

Annual 9-Hr 3-Man Team Race!

Rev	Date	Description
D	01/06/11	Min Age Limit – 13 Yrs Old
E	01/28/11	Mix of Lites and Open bikes legal in...
F	09/20/12	Minor updates for 2012!

I. General Rules

- a. Each “Team” to be made up of 3 riders or less. “Ironman” and “Ironwoman” class shall be one rider only.
- b. Class Options and Allowed Team Members: (skill levels at & below “Allowed” are legal)

Class	Description	Allowed
Pro	Only Class Eligible For Purse Money and The Off-Road Cup	Pro, XC1, AA
Expert	Experienced riders not quite at the top level yet. 450/250	Expert, A
Expert Lites	Same as above but on “Lites Bike” – 250F, 200 2-stroke	Exp. Lites, A Lites
Senior A	Expert Riders 40 years old and over. (Any size bike)	Senior A, 40+ A
Novice	Mid-level racers. 450/250	Novice, B
Novice Lites	Same as above but on “Lites Bike” – 250F, 200 2-stroke	Nov. Lites, B Lites
Senior B	Mid-level racers 40 years old and over. (Any size bike)	Senior B, 40+ B
Junior	Riders 16 years old and under – must be on 85cc or bigger.	Jr 14-16, Junior
Senior 50+	Riders 50 years old and over – any skill level.	Senior 50+
Beginner	Riders just starting out, “C” level riders, etc. 450/250	Beginner, C
Beginner Lites	Same as above but on “Lites Bike” – 250F, 200 2-stroke	Beg. Lites, C Lites
Women	Any size bike, 85cc or bigger	Women
Family Team	3 Riders of the same immediate family (no cousins)	N/A
Ironman	Single rider, all skill levels. 450F / 250 2-stroke	AA, A, B, C
Ironman Lites	Same as above but on “Lites Bike” – 250F, 200 2-stroke	Above but “Lites”
Ironman Senior	All skill levels, 40 years old and over. (any size bike)	Senior A, Sr. B, c..
Ironwoman	Single woman racer, must be on 85cc bike or bigger.	Women

- c. A team with a mixture of Open and Lites bikes must race in the open classes.
- d. No bikes smaller than an 85cc will be allowed in any class, including the Jr and Ironwoman.
- e. Registered team members only allowed to ride, anyone caught filling in with other riders will be disqualified.



- f. For the riders' safety pets must be on a leash. No pets in or near pit lane.
- g. Wrist bands for "passing the baton" must be placed on the left wrist outside of jersey sleeve.
- h. Riders must tape a programmed credit card transponder under their visor.
- i. Slow through the scoring tent. On the other hand please don't come to a STOP and hold up traffic. Roosting the scoring crew/laptop computer will result in a 1 lap penalty – be careful.
- j. No foul language, fighting, etc. – penalty is disqualification.
- k. No riders under the age of 13 years old will be allowed to compete. This is strictly due to safety concerns regarding the speed of the pro riders vs. youth riders.
- l. Thin oval shaped number plate decals will be free-issued; all riders must use these numbers.
- m. In-laws are legal for the Family class.

II. Pit Lane

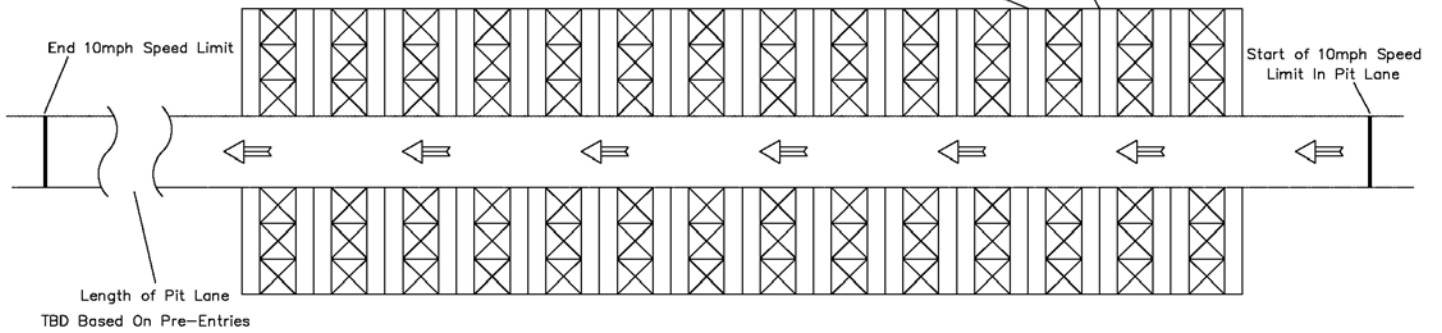
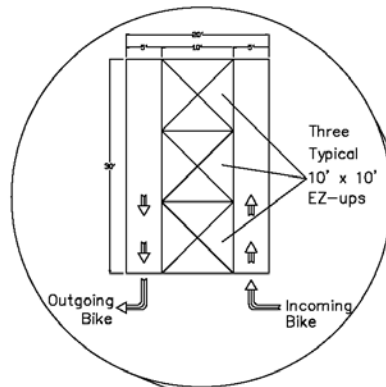
- a. 10mph Max Speed in Pit Lane, 11mph and over WILL result in penalty – no warnings.
 - i. 1st Violation: 5 minute penalty
 - ii. 2nd Violation: 1 lap penalty
 - iii. 3rd Violation: 2-lap penalty
 - iv. 4th Violation: Disqualification
- b. Bikes can only be refueled in pit lane.
- c. It is legal to use backup bikes, just make sure if in a "Lites" class it is a 125 or 250F, etc.
- d. A pit crew member must bring the wrist band from the incoming rider to the outgoing rider.



e. Each team will be allowed a 10' x 20' pit area with two rider lanes (entering and exiting) Ex:

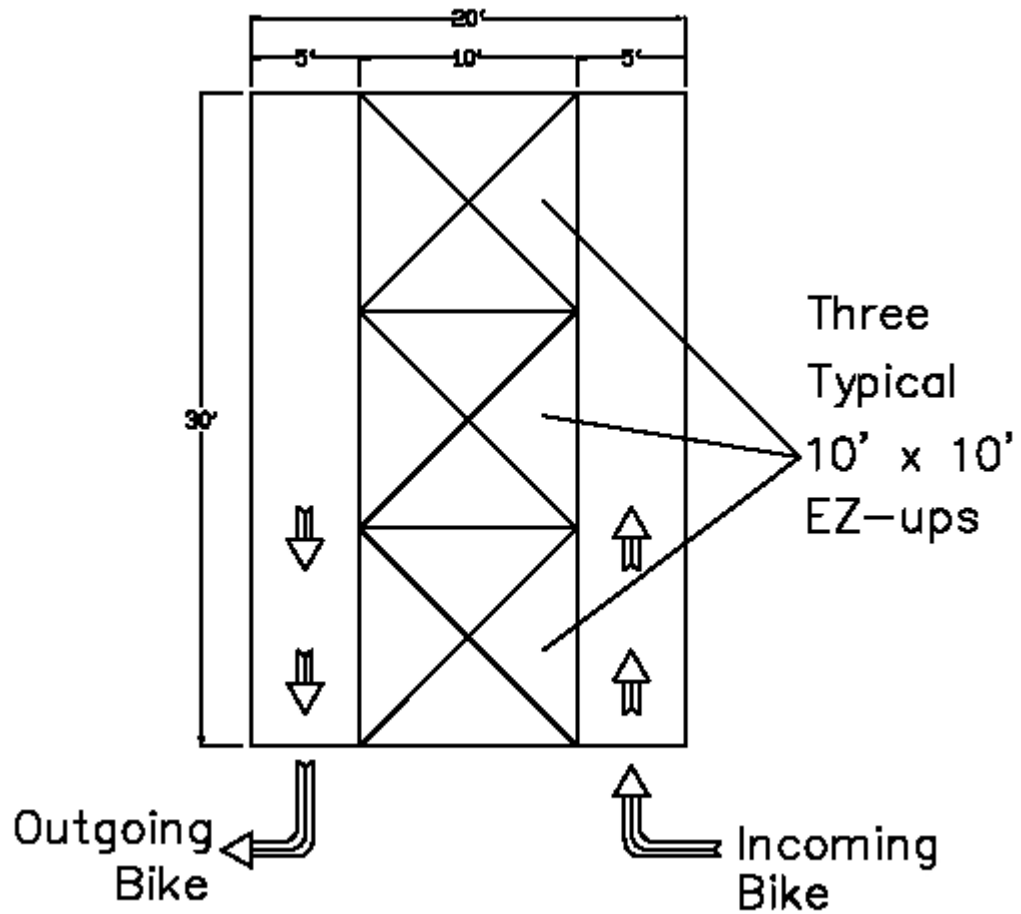
Pit Lane Details:

Each Team Will Be Issued A 20' W x 30' D Pit Area





THE
OFF-ROAD CUP



“Incoming Rider” must pull in, stop, give his/her wrist band to a pit crew member – that pit crew member will carry it over to the “Outgoing Rider”.
The main idea here is to have the wrist band transfer take place in the team’s designated pit area...NOT in pit lane.



III. **Out On The Course**

- a. Do NOT cut the course – no questions asked; immediate disqualification.
- b. Please be careful and don't ride over your head. This is a 9 HOUR race; you can't win it with one fast lap. If you see someone down and seriously hurt please take note of where and notify the scoring crew.
- c. There may be an optional extreme section set up. If you attempt it you must follow through somehow or go around the long way – do not break through the ribbon and shortcut to the other side of the obstacle. Penalty: 1 lap.